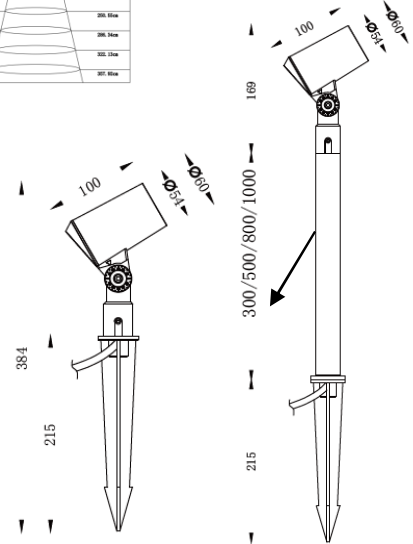
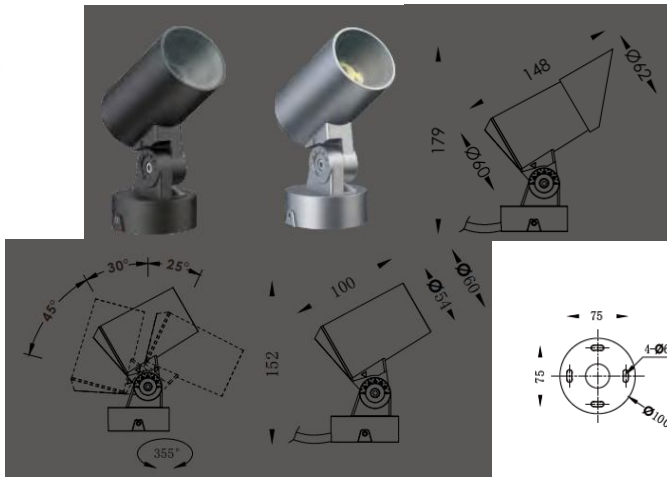
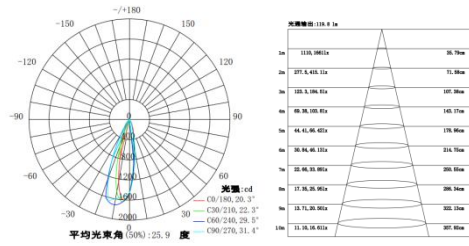


TECHNICAL SHEET

IP66 RoHS CE 1-10V Triac PWM DALI DMX 512 RGB RGBW



Honeycomb Louver



Brand/Model	Spike light 6W
Country of Origin	P.R.C
Description	Spike Adjustable ground mounted 6W Outdoor LED Spike Light c/w Die cast Aluminium Housing, High Tempered Glass Diffuser, in-ground 215mm (Option/300mm Pole, Total 515mm), With Ingrated Non Dim LED Driver. (Option with Honey Comb)
Materials	High quality Die-Cast Aluminium Housing, Black finish.
Compliance	CE
Protection Classification	IP66 IK05
Lamp	CREE COB 6watt LED Lumen: 366 lm CRI: >80 Colour Temperature: 3000K (Warm White) Lifespan: 50,000hours Beam angle: 25D Luminaire Efficacy: 61 lm/w
Control Gear	Remote group 24V Non Dim LED Driver
Mounting Method	Spike Mounted
Dimension	60 x 384 x 100 mm (Diameter x Height x Length)